



**CHALO
DESH
BANAYE**

TATA HITACHI

Reliable solutions

COMPACT AND POWERPACKED



ZAXIS33U

Engine Power (Gross) : 22.0 kW (29.9 PS) @ 2400 rpm | Operating Weight : 3290 kg | Bucket Capacity : 0.04 - 0.09 m³

COMPACT & POWER PACKED



SUPERIOR PERFORMANCE

- Excellent control with best-in-class swing speed for faster operations
- Hitachi's pilot controlled hydraulic system ensures effortless handling of pilot lever
- Zero tail swing and boom swing enables this compact excavator to work alongside walls
- Special cooling system to keep engine & hydraulics cool

- Greater Stability
- Air Pre Cleaner



- Strengthened Front Attachments
- Higher Digging Forces
- Easy to Maintain
- ROPS / TOPS Canopy
- Mechanical Governor (Minimal Electronics)

HIGH DURABILITY

- Sturdy upper structure – reinforced with proven D-section skirts
- Reinforced boom end bracket with high strength steel
- Single swing post pin assures minimum backlash and improves performance



- Box-sectioned rigid frame blade
- Reinforced sturdy bucket – longer life

OPERATOR COMFORT & SAFETY

- Spacious canopy with ample leg room for maximum comfort
- Ergonomically designed console, seat, large anti-vibration mounts to maximize comfort
- Protects operator in case of roll over or trip over accidents as ZX33U conforms with ROPS/TOPS standards



- Lowering Lock lever is compulsory for engine start function

SIMPLIFIED MAINTENANCE

- Dust proof indoor net, parallel ROC-Easy to clean
- Wide opening covers with grouped inspection points - Easy to access
- Longer greasing intervals with HN bushes - Reduced maintenance cost
- Slide open engine cover provides easy access to service in tight spaces.



- Air pre-cleaner ensures longer life of filters and reduces maintenance cost

SPECIFICATIONS

Engine

Model.....EDM-3TNV88
 Make.....Yanmar
 Type.....4 Cycle water cooled, direct injection
 Engine Power (Gross) (ISO14396 : 2002)22.0 kW (29.9 PS) @ 2400 rpm
 Total displacement.....1.642 L
 Max torque.....105.5 Nm @ 1000 rpm
 Battery1 × 12 V / 55 Ah

Hydraulic System

Hydraulic Pump2 Variable displacement axial piston pumps
 Maximum oil flow
 (Main Pumps).....2 x 38.4 L/min, 1 x 22.8 L/min
 Pilot pump.....1 Gear pump
 Maximum oil flow10.8 L/min

Relief Valve Settings

Implement circuit.....250 kgf/cm²
 Swing circuit.....170 kgf/cm²
 Travel circuit.....250 kgf/cm²
 Pilot circuit40 kgf/cm²

Digging Forces

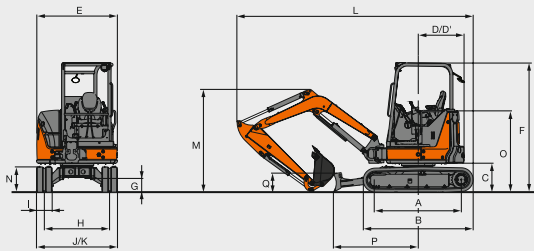
Arm length1.17 m
 Bucket Digging Forces (ISO 6015 : 2006)2770 kgf
 Arm Crowding Forces (ISO 6015 : 2006)1720 kgf

Buckets

Capacity	Width		No. of tooth point	Capacity 1.17m arm
	With side cutter	With out side cutter		
*0.09 m ³	543	500	4	A
0.09 m ³	593	550	4	A
0.04 m ³	293	250	2	A

A General purpose B Light Excavation C Loading Work
 * Standard bucket

DIMENSIONS



Unit: mm

A Distance between tumblers	1670	J Undercarriage width	1550
B Undercarriage length	2130	K Overall width	1550
C Counterweight clearance	540	L Overall length	4450
D Rear-end swing radius	775	M Overall height of boom	1510
D' Rear-end length	775	N Track height	470
E Overall width of upper structure	1550	O Engine cover-height	1520
F Overall height of cab	2470	P Horizontal distance to blade	1620
G Min. ground clearance	270	Q Blade height	360
H Track gauge	1250		
I Track shoe width	300		

Undercarriage

Travel Speed4.3 - 2.8 kmph
 Max Traction force2750 kgf
 Gradeability.....58 % (30°)
 No. of upper Roller.....1 x 2
 No. of lower Roller4 x 2
 No. of Track shoe44 x 2
 Shoe width.....300 mm

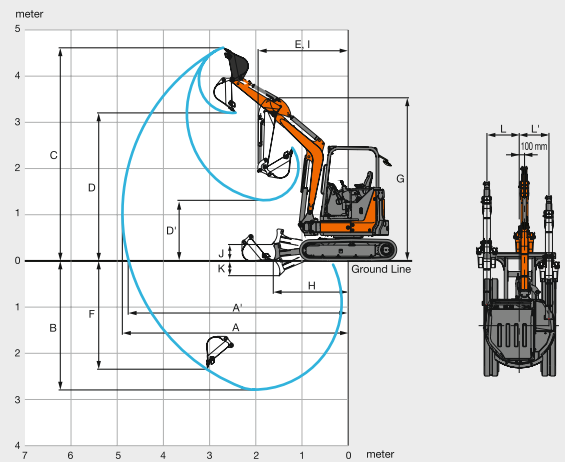
Upper Structure

Swing Speed9.1 rpm
 Swing torque5.1 kNm
 Boom Swing left72°
 Boom Swing Right62°

Service Refill Capacities

Fuel tank42 L
 Hydraulic System56 L
 Hydraulic oil32 L
 Travel device (Each side)0.6 L
 Engine oil7.2 L
 Engine coolant3.9 L

Working Ranges



Unit: mm

	Arm length	1.17 m
A	Max. digging reach	4 890
A'	Max. digging reach (on ground)	4 750
B	Max. digging depth	2 790
C	Max. cutting height	4 620
D	Max. dumping height	3 200
E	Min. swing radius	1 970
F	Max. vertical wall digging depth	2 330
G	Front height at Min. swing radius	3 530
H	Min. level crowding distance	1 610
I	Working radius at Min. swing radius	1 580
J	Blade bottom highest position above ground	360
K	Blade bottom lowest position above ground	320
L/L'	Offset distance	610/735

All dimensions are in mm

Tata Hitachi Construction Machinery Company Private Limited

Registered Office: Jubilee Building, 45 Museum Road, Bangalore, India 560025
 Telephone: +91 80 66953301 / 02 / 03 / 04 / 05 | Email: info@tatahitachi.co.in



OUR RANGE OF PRODUCTS



Authorised Dealer

These specifications are subject to change without prior notice. The machine depicted may vary from the actual machine. Please contact our nearest office for latest specifications. Accessories shown here are not part of the standard equipment. Performance of the machine may vary with site and operating conditions encountered.